

### Description

BP1638CJ is a 3-channel PWM dimmable Linear constant current LED driver, integrated with three 40V/200mA MOS. PWM signal can control the respective channel output current directly and separately. And BP1638CJ just needs one resistor to set 3-channel current.

BP1638CJ integrates thermal regulation function to reduce output current at hot temperature, makes the system reliable and prevents over heating the bulb at high input voltage.

### Features

- 3-channel with Separate PWM Control
- Integrated with triple 40V/200mA MOS
- Standby Current < 100uA
- Single resistor sets 3-channel output current
- Support up to 10kHz PWM frequency
- $\pm 4\%$  LED output current
- $\pm 3\%$  LED output current between 3-channel
- Available in ESOP-8 Package

### Application

- Smart RGB LED bulbs
- Other Smart LED lighting

### Typical Application

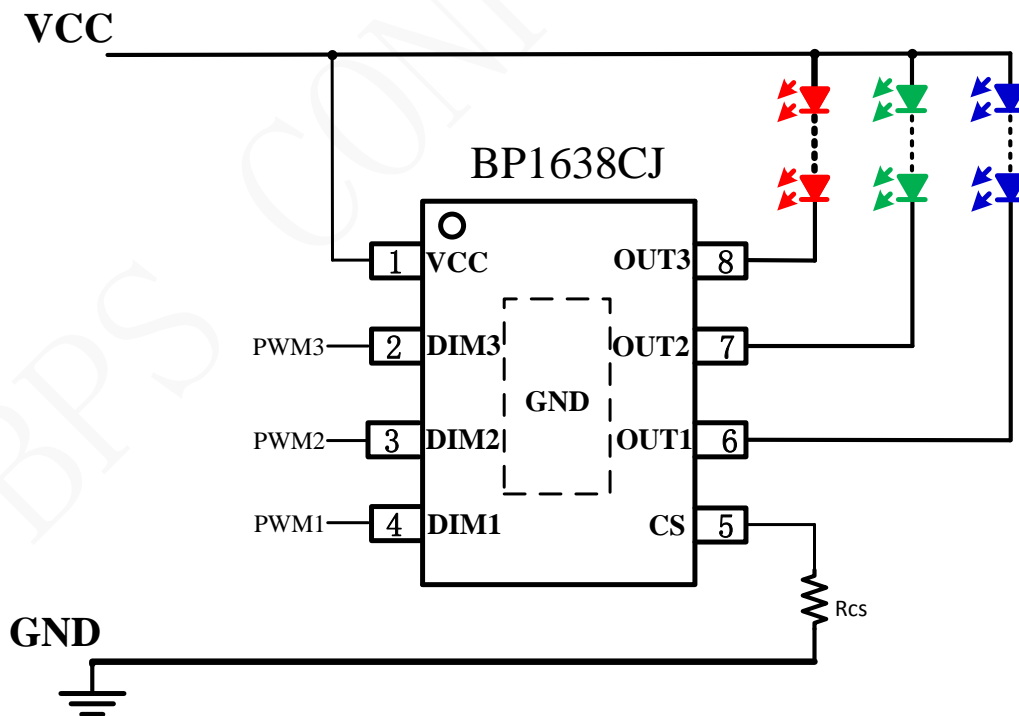


Figure1. BP1638CJ Typical Application

## Ordering Information

Part Number	Package	Packing Method	Marking
BP1638CJ	ESOP8	Tape 4,000 pcs/ree	BP1638 XXXXXXC XXXXYYJ

## Pin Configuration and Marking Information

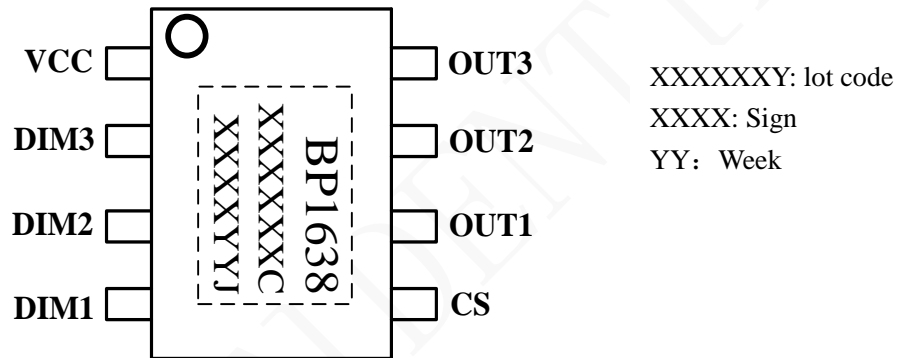


Figure2. Pin configuration

## Pin Definition

Pin NO.	Name	Description
1	VCC	Power Supply input pin
2,3,4	DIM3/2/1	PWM Dimming Signal input
5	CS	Current Setting, connect the current sense resistor to GND Pin
6,7,8	OUT1/2/3	Drain of internal power MOSFET
	Exposed Pad	Ground

## Disclaimer

The information provided in this datasheet is believed to be accurate and reliable. However, Bright Power Semiconductor (BPS) reserves the right to make changes at any time without prior notice.

No license, to any intellectual property right owned by BPS or any other third party, is granted under this document. BPS provides information in this datasheet “AS IS” and with all faults, and makes no warranty, express or implied, including but not limited to, the accuracy of the information provided in this datasheet, merchantability, fitness of a specific purpose, or non-infringement of intellectual property rights of BPS or any other third party. BPS disclaims any and all liabilities arising out of this datasheet or use of this datasheet, including without limitation consequential or incidental damages.